

-15°C ÷ +80°C



Working Pressure:  
16 Bar



Compressed air



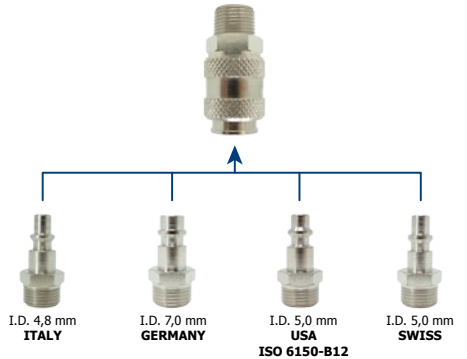
- Taper gas BSPT ISO 7  
from R1/4" to R1/2"  
- Parallel gas BSPP ISO 228  
from G1/4" to G1/2"



Body: Nickel plated brass with  
6 stainless steel spheres

**PROFILE - TIERRE UNIVERSAL SERIES**

The strip 8400 Series allows you to use 4 different profiles by managing a single quick coupling. A practical solution to manage profiles that are not compatible with each other.

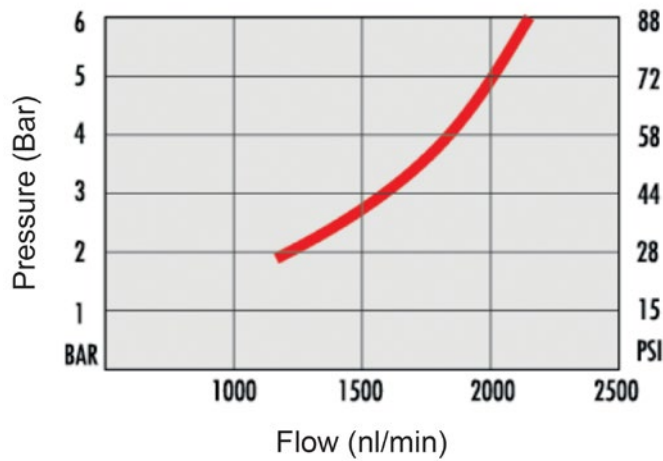


Products in compliance with the directive 1907/2006



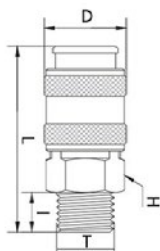
Products in compliance with the directive EU 2015/863

**AIR FLOW**  
TIERRE UNIVERSAL SERIES



**8410FM**

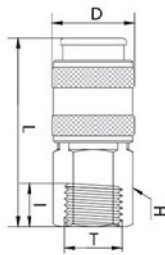
Male quick coupler BSPT



CODE	T	I	D	L	H
8410FM02	R 1/4"	11,0	24,0	58,0	20
8410FM03	R 3/8"	11,5	24,0	54,0	20
8410FM04	R 1/2"	14,0	24,0	56,5	22

## 8420FF

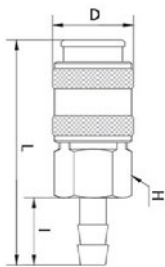
### Female quick coupler BSPP



CODE	T	I	D	L	H
8420FF02	G 1/4"	11,0	24,0	55,0	20
8420FF03	G 3/8"	12,0	24,0	55,0	20
8420FF04	G 1/2"	14,0	28,0	55,0	25

## 8430RE

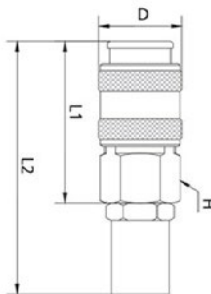
### Barb connector quick coupler



CODE	Ø INT. TUBO	I	BARB	D	L	H
8130RE06	6	20,0	6,5	24,0	67,0	20
8130RE08	8	20,0	9	24,0	67,0	20
8130RE10	10	20,0	11,5	24,0	67,0	20
8130RE12	12	24,0	13,5	24,0	71,0	20

## 8440PO

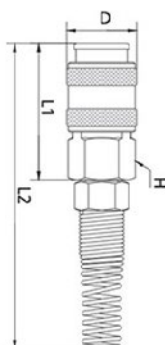
### Hose connector quick coupler



CODE	Ø	D	L1	L2	H
8440PO610	6x10	24	47,0	73,0	20
8440PO612	6x12	24	47,0	73,0	20
8440PO614	6x14	24	47,0	73,5	20
8440PO812	8x12	24	47,0	73,0	20
8440PO814	8x14	24	47,0	73,5	20
8440PO817	8x17	24	47,0	73,5	20
8440PO10145	10x14,5	24	47,0	73,5	20
8440PO1017	10x17	24	47,0	73,5	20
8440PO1019	10x19	24	47,0	77,0	20

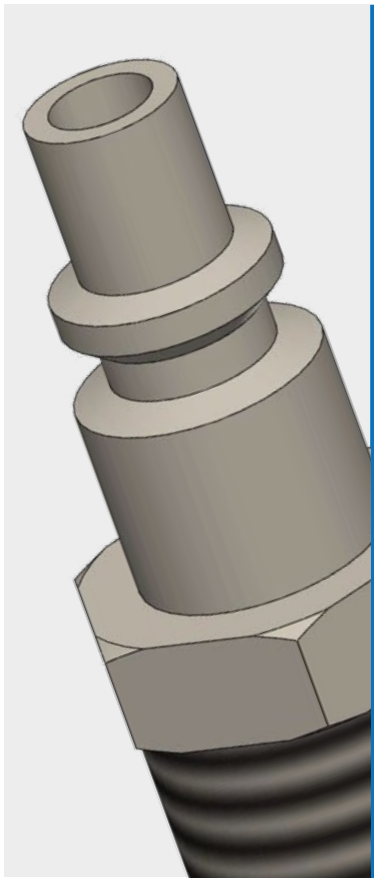
## 8450MO

### Spring quick coupler



CODE	Ø	D	L1	L2	H
8450MO58	5x8	24,0	47,0	148,0	20
8450MO68	6x8	24,0	47,0	148,0	20
8450MO6510	6,5x10	24,0	47,0	148,0	20
8450MO810	8x10	24,0	47,0	148,0	20
8450MO812	8x12	24,0	38,0	155,0	20
8450MO1012	10x12	24,0	38,0	155,0	20





-18°C ÷ +80°C

Working pressure:  
12 Bar

4,8 mm

**FLOW**

1600 l/mm



Compressed air



- Taper gas BSPT ISO 7  
from R 1/8" to R 1/2"  
- Parallel gas BSPP ISO 228  
from G 1/8" to G 1/2"



Body: Nickel plated brass

**PROFILE - ITALY SERIES**Products in compliance with  
the directive 1907/2006Products in compliance with  
the directive EU 2015/863**8260MM****Male connection BSPT**

CODE	THREAD	LENGTH	WRENCH
8260MM01	R 1/8"	34,7	13
8260MM02	R 1/4"	37,9	14
8260MM03	R 3/8"	38,2	17
8260MM04	R 1/2"	42,1	22

**8270FM****Female connection BSPP**

CODE	THREAD	LENGTH	WRENCH
8270FM01	G 1/8"	29	13
8270FM02	G 1/4"	37	15
8270FM03	G 3/8"	38,1	19
8270FM04	G 1/2"	42	25

## 8230PO

Connection with hose connector



CODE	ØD	LENGTH	WRENCH 1	WRENCH 2
8230PO610	6x10	55,5	13	15
8230PO612	6x12	55,5	13	15
8230PO613	6x13	54,8	13	16
8230PO614	6x14	55,7	12	17
8230PO716	7x16	55,1	13	19
8230PO812	8x12	55	13	15
8230PO813	8x13	55	13	16
8230PO815	8x15	55	13	18
8230PO817	8x17	55,4	13	20
8230PO1017	10x17	57,9	13	20
8230PO1019	10x19	59,8	13	22

## 8285BM

Bayonet male connection



CODE	ØD	LENGTH
8285BM55	5,5	155,8

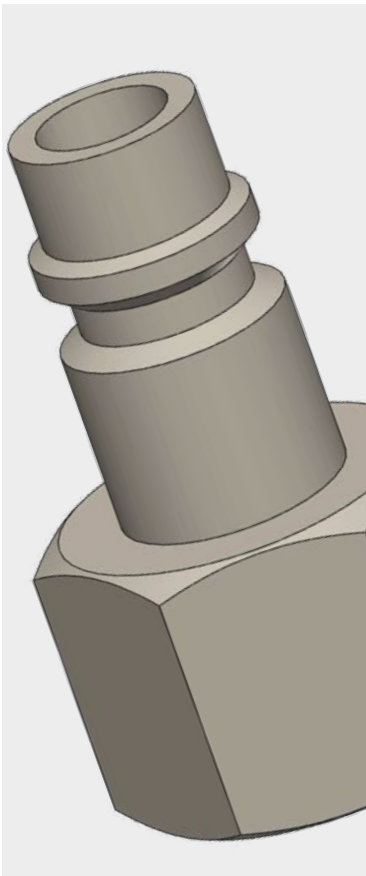
## 8295MO

Connection with spring



CODE	ØD	LENGTH	WRENCH 1	WRENCH 2
8295MO46	4x6	112,1	12	12
8295MO58	5x8	125,5	13	13
8295MO68	6x8	124,9	13	13
8295MO6510	6,5x10	126	12	15
8295MO810	8x10	123,7	13	15
8295MO812	8x12	125,5	15	17
8295MO1012	10x12	127,5	15	17





-18°C ÷ +80°C



Working pressure:  
12 Bar



7,0 mm

#### FLOW

2000 l/mm



Compressed air



- Taper gas BSPT ISO 7  
from R 1/8" to R 1/2"  
- Parallel gas BSPP ISO 228  
from G 1/4" to G 1/2"



Body: Nickel plated brass

#### PROFILE - GERMANY SERIES



Products in compliance with  
the directive 1907/2006



Products in compliance with  
the directive EU 2015/863

## 8360MM

### Male connection BSPT



CODE	THREAD	LENGTH	WRENCH
8360MM01	R 1/8"	32	12
8360MM02	R 1/4"	33,5	14
8360MM03	R 3/8"	35,5	17
8360MM04	R 1/2"	38,4	22

## 8370FM

### Female connection BSPP



CODE	THREAD	LENGTH	WRENCH
8370FM02	G 1/4"	33,1	15
8370FM03	G 3/8"	35	19
8370FM04	G 1/2"	38	25

## 8340PO

Connection with hose connector



CODE	ØD	LENGTH	WRENCH 1	WRENCH 2
8340PO610	6x10	54	13	15
8340PO612	6x12	54	13	15
8340PO614	6x14	53	13	17
8340PO716	7x16	53	13	18
8340PO812	8x12	54	13	15
8340PO815	8x15	54	13	18
8340PO817	8x17	54	13	20
8340PO1019	10x19	58	13	22

## 8380RE

Connection with barb connector



CODE	Ø INT. TUBE	LENGTH
8380RE06	6	39,4
8380RE07	7	59
8380RE08	8	63,4
8380RE09	9	41,3
8380RE10	10	63,5
8380RE11	11	63,5
8380RE12	12	63,6
8380RE13	13	66,3
8380RE14	14	66,7

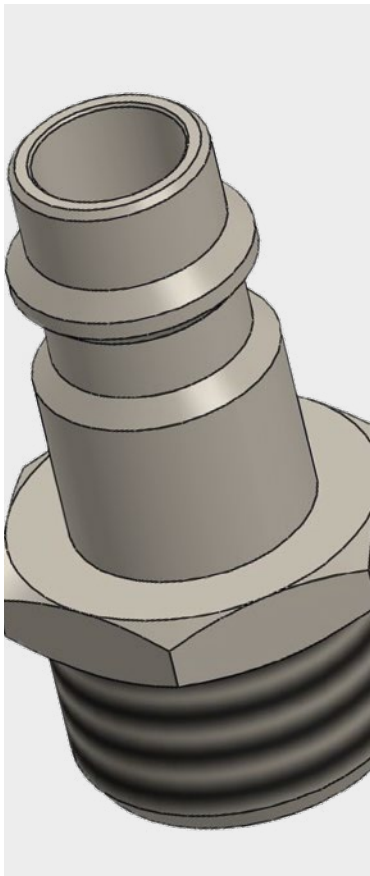
## 8395MO

Connection with spring



CODE	ØD	LENGTH	WRENCH 1	WRENCH 2
8395MO46	4x6	110	13	12
8395MO58	5x8	119,5	13	13
8395MO68	6x8	120	13	13
8395MO6510	6,5x10	121	13	15
8395MO810	8x10	121	13	15
8395MO812	8x12	123	15	17
8395MO1012	10x12	121	15	17





-18°C ÷ +80°C



Working pressure:  
12 Bar



5,0 mm

#### FLOW

1600 l/mm



Compressed air



Parallel gas BSPP ISO 228  
from G 1/4" to G 1/2"



Body: Nickel plated brass

#### PROFILE - USA / ISO 6150-B12 SERIES



Products in compliance with  
the directive 1907/2006



Products in compliance with  
the directive EU 2015/863

## 8060MM

### Male connection BSPP



CODE	THREAD
8060MM02	G 1/4"
8060MM03	G 3/8"
8060MM04	G 1/2"

## 8070FM

### Female connection BSPP



CODE	THREAD
8070FM02	G 1/4"
8070FM03	G 3/8"
8070FM04	G 1/2"

## 8080RE

Connection with barb connector



CODE	Ø INT. TUBE
8080RE06	6
8080RE08	8
8080RE10	10
8080RE12	12

## 8085PO

Connection with hose connector



CODE	Ø
8085PO610	6x10
8085PO612	6x12
8085PO614	6x14
8085PO812	8x12
8085PO814	8x14
8085PO817	8x17
8085PO10145	10x14,5
8085PO1017	10x17
8085PO1019	10x19

## 8090MO

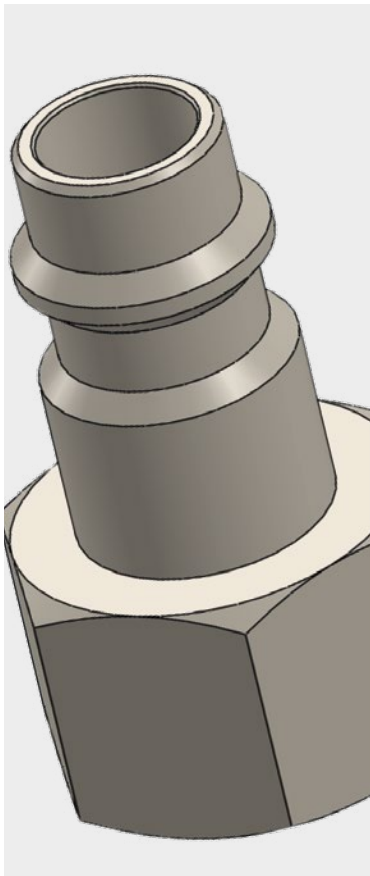
Connection with spring



CODE	Ø
8090MO46	4x6
8090MO58	5x8
8090MO68	6x8
8090MO810	8x10
8090MO6510	6,5x10
8090MO812	8x12
8090MO1012	10x12







-15°C ÷ +80°C

Working pressure:  
16 Bar

5,0 mm

**FLOW**

2000 l/mm



Compressed air

Parallel gas BSPP ISO 228  
from G 1/4" to G 1/2"

Body: Nickel plated brass

**PROFILE - SWISS SERIES**Products in compliance with  
the directive 1907/2006Products in compliance with  
the directive EU 2015/863**8460MM****Male connection BSPP**

CODE	THREAD
8460MM02	G 1/4"
8460MM03	G 3/8"
8460MM04	G 1/2"

**8470FM****Female connection BSPP**

CODE	THREAD
8470FM02	G 1/4"
8470FM03	G 3/8"
8470FM04	G 1/2"

## 8480RE

Connection with barb connector



CODE	Ø INT. TUBE
8480RE06	6
8480RE08	8
8480RE10	10
8480RE12	12

## 8485PO

Connection with hose connector



CODE	Ø
8485PO610	6x10
8485PO612	6x12
8485PO614	6x14
8485PO812	8x12
8485PO814	8x14
8485PO817	8x17
8485PO10145	10x14,5
8485PO1017	10x17
8485PO1019	10x19

## 8490MO

Connection with spring



CODE	Ø
8490MO46	4x6
8490MO58	5x8
8490MO68	6x8
8490MO810	8x10
8490MO6510	6,5x10
8490MO812	8x12
8490MO1012	10x12

