



-20 °C ÷ +80 °C



Working Pressure:

16 Bar

Negative Pressure:

- 0,95 Bar (- 99 Kpa)



Air, non-aggressive gases
and vacuum

Resistant to mechanical shocks and U.V.
Fire resistance. Non-flammable with no
propagation of flame.



Tube: Aluminum AN AW 6060 T6

Manufactured with seamless
extrusion.

Exterior surface painted with polyester
powder.

PED

SILICONE FREE



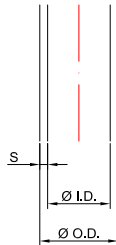
Products in compliance with
the directive 1907/2006



Products in compliance with
the directive EU 2015/863

F-AL-4AZ

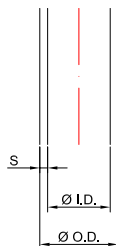
Aluminum pipe 4 meters light blue



CODE	ØOD	ØID	S	WEIGHT (g/m)
F-AL2017-4AZ	20	17	1,5	200
F-AL2522-4AZ	25	22	1,5	275
F-AL4036-4AZ	40	36	2	585

F-AL-6AZ

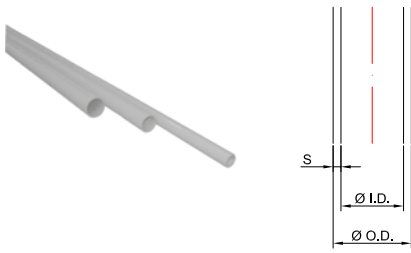
Aluminum pipe 6 meters light blue



CODE	ØOD	ØID	S	WEIGHT (g/m)
F-AL2017-6AZ	20	17	1,5	200
F-AL2522-6AZ	25	22	1,5	275
F-AL4036-6AZ	40	36	2	585

F-AL-6GR

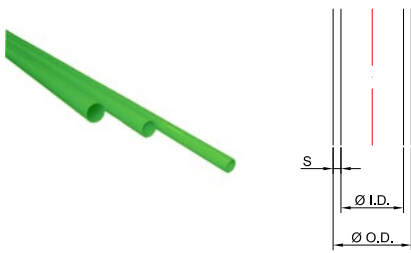
Aluminum pipe 6 meters grey



CODE	ØOD	ØID	S	WEIGHT (g/m)
F-AL2017-6GR	20	17	1,5	200
F-AL2522-6GR	25	22	1,5	275
F-AL4036-6GR	40	36	2	585

F-AL-6VD

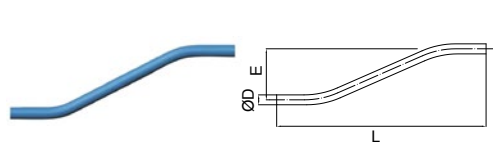
Aluminum pipe 6 meters green



CODE	ØOD	ØID	S	WEIGHT (g/m)
F-AL2017-6VD	20	17	1,5	200
F-AL2522-6VD	25	22	1,5	275
F-AL4036-6VD	40	36	2	585

F-IS

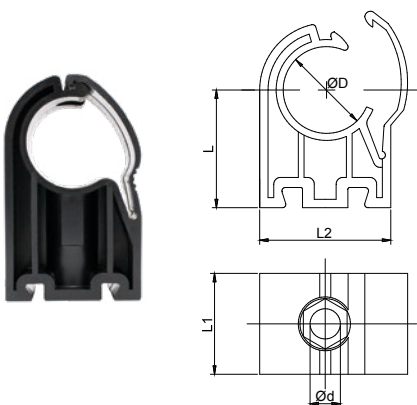
Double bend



CODE	ØOD	ØID	S	L	E	WEIGHT (g)
F-IS2000	20	17	1,5	430	130	100
F-IS2500	25	22	1,5	460	160	130

FPST

Fixing clip rigid pipe

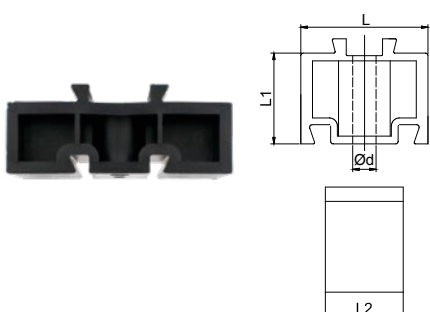


CODE	ØD	L	L1	L2	Ød	WEIGHT (g)
FPST20	20	35,0	30,0	31,0	9,0	
FPST25	25	35,0	30,0	38,0	9,0	20
FPST40	40	70,0	40,0	60,0	9,0	74

M8 nut included

FPDST

Spacer for fixing clip rigid pipe



CODE	L	L1	L2	Ød	WEIGHT (g)
FPDST2032	29,0	35,0	30,0	9,0	24
FPDST4063	34,0	30,0	40,0	9,0	55





-40 °C ÷ +100 °C
with hydraulic, synthetic and
petroleum-derived fluids

-40 °C ÷ +70 °C
with compressed air



Working Pressure:
16 Bar



Air, non-aggressive gases
and vacuum

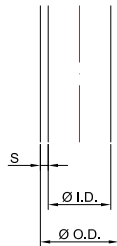


Tube: Black synthetic rubber
reinforced with braided steel

Resistant to synthetic fluids, petroleum-
based fluids, water-based fluids,
lubricants, hydrocarbons, fuels etc.

TUC

Tube for compressor connection with female swivel fittings



CODE	DN	ØID (mm)	ØOD (mm)	THREAD	BENDING RADIUS (mm)	L (m)
TUC25G06	25	26,4	36,6	G 1"	300	0,5
TUC40G08	38	39,3	52,1	G 1-1/2"	500	1,32





-30 °C ÷ +80 °C



Working Pressure:
16 Bar
Negative Pressure:
- 0,95 Bar (- 99 Kpa)



Air, non-aggressive gases and vacuum

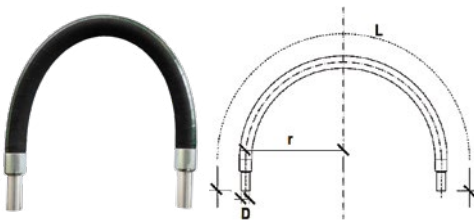


Tube: Black SBR/NBR oil mist resistant. High tensile textile cords reinforcement. Black SBR abrasion and ozone resistant cover

Smooth textile surface.
Resistant to abrasion, weather conditions and aging.

TUX

Flexible expansion joint



CODE	DN	ØID (mm)	ØOD (mm)	D	BENDING RADIUS (mm)	L (m)
FPTUX25-1000	25	25,0	35,0	25	250	1
FPTUX25-2000	25	25,0	35,0	25	250	1
FPTUX40-1500	38	35,0	50,0	40	380	1,5
FPTUX40-3000	38	35,0	50,0	40	380	3

